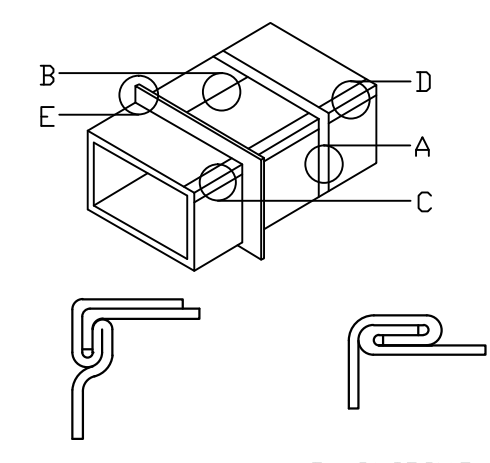
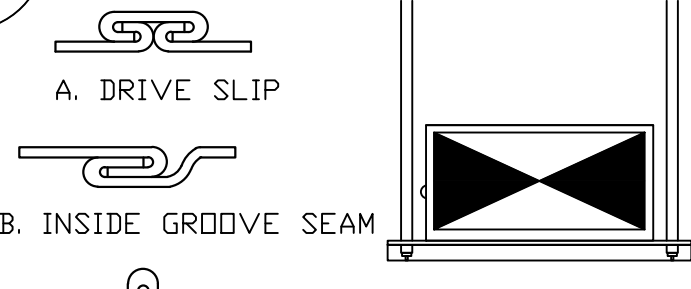


4



C. PITTSBURGH SEAM D. SLIDING SEAM

3

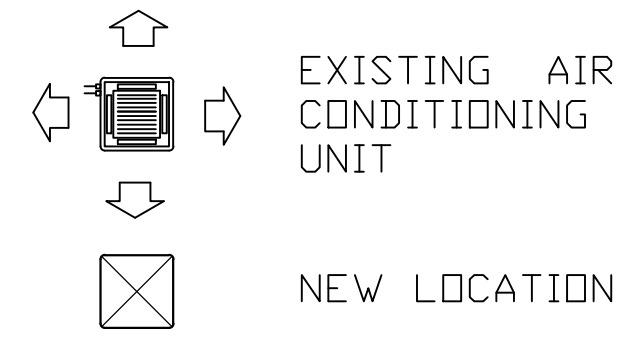


A. DRIVE SLIP

B. INSIDE GROOVE SEAM

2

LEGEND:



EXISTING AIR CONDITIONING UNIT

NEW LOCATION

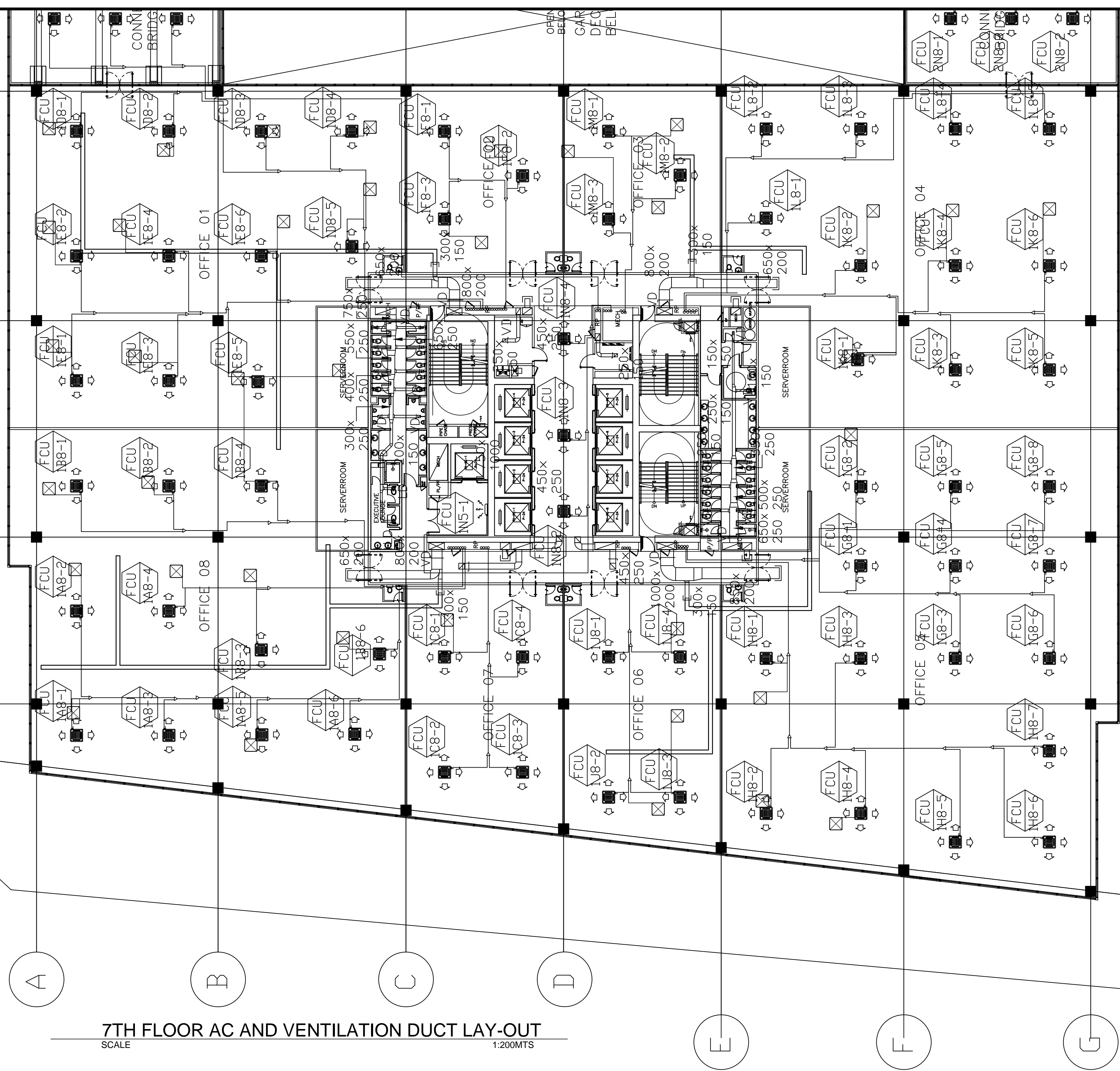
1'

COPPER TUBING

1

EXHAUST DUCT

NOTE:
THE ORIGINAL DESIGN OF FAN COIL CAPACITY IS SELECTED WITH SMALLER CAPACITIES FOR FIT-OUT FLEXIBILITY. HOWEVER DURING THE MEETING DATED FEB. 18, 2015, WITH THE ARCHITECT AND GENERAL CONTRACTOR, THE INSTRUCTION GIVEN TO US IS TO REVISE THE SAID PLANS AND AC CAPACITIES TO A BIGGER UNIT SIZE AT 4TR EACH.



7TH FLOOR AC AND VENTILATION DUCT LAY-OUT

SCALE 1:200MTS

4

3

2

1'

1

1 M-15



TIEZA
TOURISM INFRASTRUCTURE
AND ENTERPRISE ZONE AUTHORITY
142 AMORSOLO STREET, LEGASPI VILLAGE,
MAKATI CITY

PROJECT TITLE/LOCATION
AIRCON RE-INSULATION
DOUBLE DRAGON PLAZA
PASAY CITY

PROJECT EVALUATION AND PLANNING DEPARTMENT
PREPARED BY:
JEFFREY HERNANDEZ
DRAWN BY:

CHECKED BY:
RADY E. ADAME
MANAGER
PROJECT PLANNING & DESIGN DIVISION

REVIEWED BY:
AMELITA S. CAGANDA
MANAGER
PROJECT EVALUATION & PLANNING DEPARTMENT

RECOMMENDING APPROVAL:
NESTOR M. DOMALANTA
ASSISTANT CHIEF OPERATING OFFICER
ARCHITECTURAL & ENGINEERING SERVICES SECTOR

APPROVED BY:
MARK T. LAPID
CHIEF OPERATING OFFICER

SHEET CONTENTS:
6TH FLOOR PLAN
REVISIONS:

R.A. 545
THIS DRAWING IS
A PROPERTY OF
TIEZA AND CANNOT
BE REPRODUCED
WITHOUT THEIR
CONSENT.

